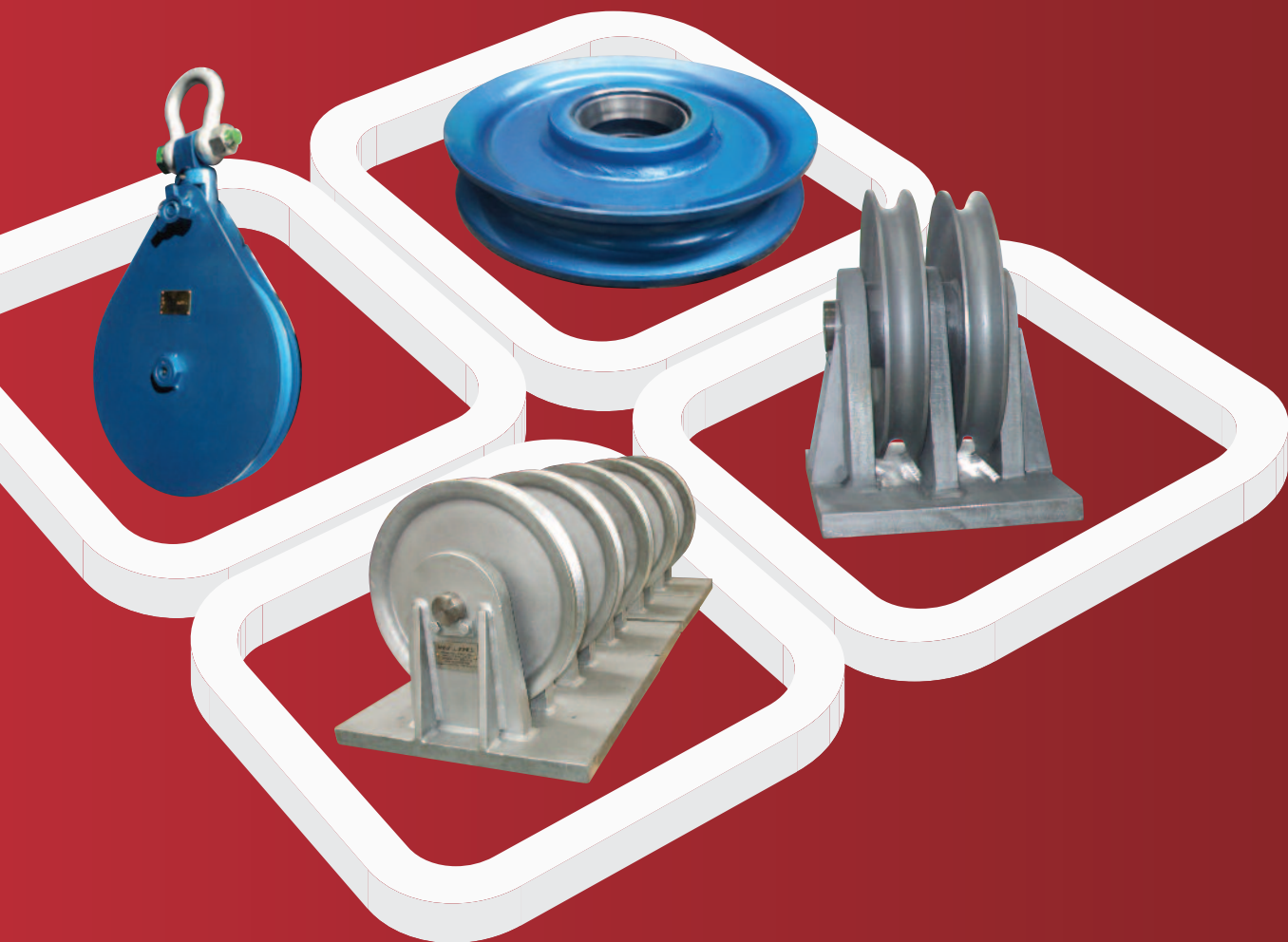


Ansell Jones Ltd.



Supasheaves



Beyond Integration
Seamless Solutions™

Supasheaves

Supasheave production has increased due to investment in manufacturing processes enabling supasheaves to be manufactured in improved lead times.

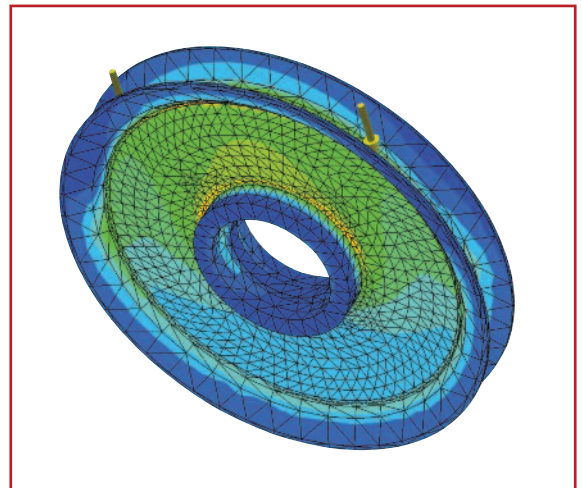
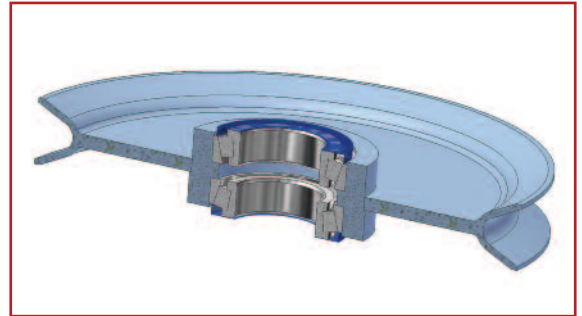
Many standard sheave forms are in stock with bosses manufactured to exacting requirements. Typical delivery is 7-10 days, depending on capacity at the time of order.

Technical Info:

The supasheave process is fast, versatile and a cost effective method of producing a pulley for wire ropes. The form begins as a laser profiled disc and utilising a cold forming process - the groove is work hardened to approximately 220BHN hardness. A machined boss is then welded into the centre of the pulley to suit client requirements. The sheave is light weight and can be supplied with 3.1 material certification.

Features:

- **Standard and special manufacture sizes available**
- **Outside diameter from 150 – 1,000mm
Wire sizes from 8-38mm
(larger sizes available on request).**
- **Boss machined suitable for any bush or bearing size/type**
- **Work hardened groove for increased durability**
- **Reduced delivery times**
- **Competitive pricing**
- **3.1 material certification on request**
- **Various paint finishes or galvanised finish optional**
- **Can be used in a variety of applications including snatch block, deck blocks etc**



Ansell Jones Ltd.

Unit 101, Access 10, Bentley Road South, Darlaston, England, WS10 8LQ
Main: +44 (0) 121 568 3420 Fax: +44 (0) 121 526 2201 Email: sales@anselljones.com