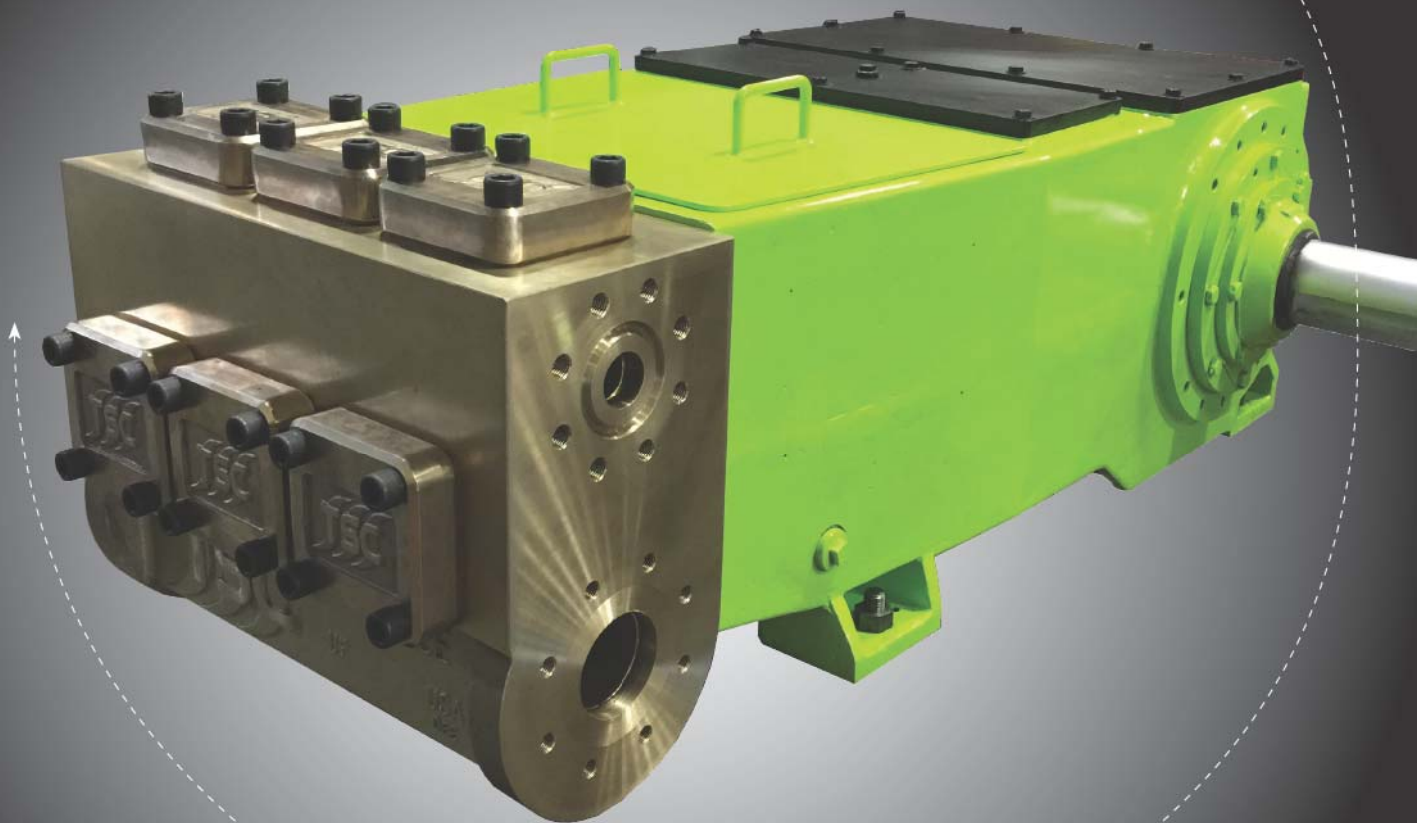




UNIFORCE TRIPLEX PUMP
UNIFORCE™ UF175 Triplex Pump
UNIFORCE TRIPLEX PUMP



GLOBAL SOLUTIONS

DESIGNING, MANUFACTURING AND PACKAGING FOR THE OIL & GAS INDUSTRY

Beyond Integration
Seamless Solutions™

Performance Criteria

Rated BHP @ 450 RPM Continuous Duty:	175 HP (130 kW)
Maximum strokes per minute:	450
Stroke Length:	5 inches (127 mm)
Maximum Plunger Diameter:	4 inches (101 mm)
Minimum Plunger Diameter:	2.25 inches (57 mm)
Suction Manifold:	either 4 inches or 5 inches NPT
Discharge Manifold:	either 2 inches or 3 inches RTJ Flange
Maximum Working Pressure for Med. Pressure Fluid End:	3,000 PSI (211 Kg/cm ²)
Fluid End:	955 ALBZ (Medium Pressure Fluid End)
Oil Capacity:	12 gallons (45 liters)
Dry Weight:	4,750 lbs (2,155 kg)

Performance Characteristics

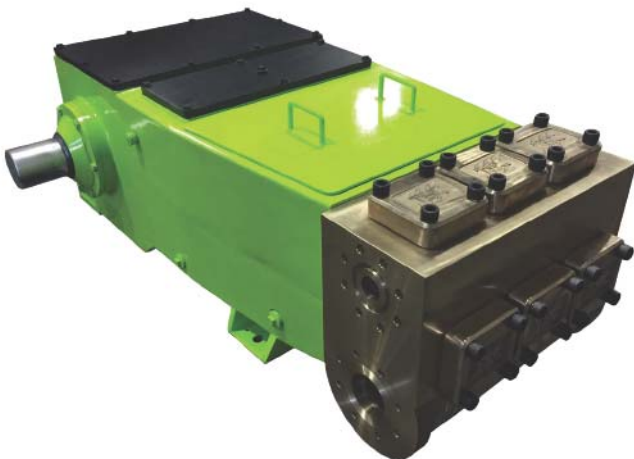
UF175 Performance Data	Input BHP	HP	50	100	125	150	175	175	175
		KW	37	75	93	112	130	130	130
Plunger Diameter	RPM		100	200	250	300	350	400	450
2.25"	Flow rate, GPM		26	52	65	77	90	103	116
	Max. Pressure (PSI)		2,987	2,987	2,987	2,987	2,987	2,614	2,323
2.5"	Flow rate, GPM		32	64	80	96	112	128	143
	Max. Pressure (PSI)		2,420	2,420	2,420	2,420	2,420	2,117	1,882
2.75"	Flow rate, GPM		39	77	96	116	135	154	174
	Max. Pressure (PSI)		2,000	2,000	2,000	2,000	2,000	1,750	1,555
3"	Flow rate, GPM		46	92	115	138	161	184	207
	Max. Pressure (PSI)		1,680	1,680	1,680	1,680	1,680	1,470	1,307
3.25"	Flow rate, GPM		54	108	135	162	189	215	242
	Max. Pressure (PSI)		1,432	1,432	1,432	1,432	1,432	1,253	1,114
3.5"	Flow rate, GPM		62	125	156	187	219	250	281
	Max. Pressure (PSI)		1,234	1,234	1,234	1,234	1,234	1,080	960
3.75"	Flow rate, GPM		72	143	179	215	251	287	323
	Max. Pressure (PSI)		1,075	1,075	1,075	1,075	1,075	941	836
4"	Flow rate, GPM		82	163	204	245	286	326	367
	Max. Pressure (PSI)		945	945	945	945	945	827	735

Notes:

- All data subject to change without notice
- Data is based on 100% volumetric efficiency and 90% mechanical efficiency
- Achievable pressure will be limited by input power and fluid end module pressure limitations



UNIFORCE™ UF175

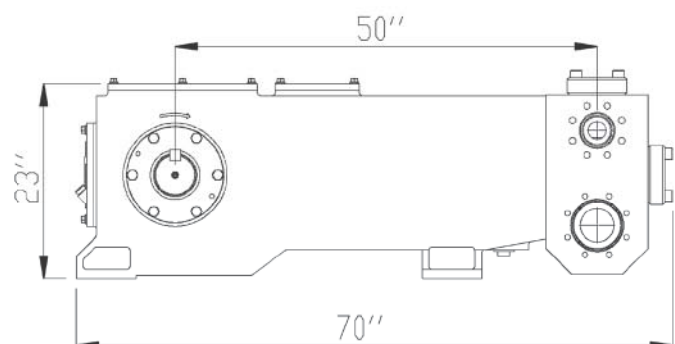
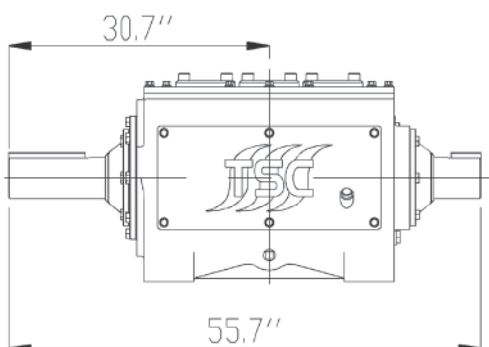
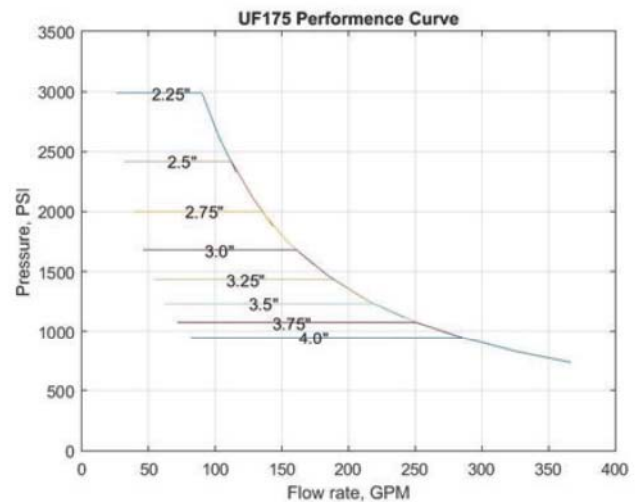


Standard Features

- Compact Footprint
- 955 Aluminum Bronze Fluid End
- 17-4 Stainless Steel Valves (Caged Style)
- Double Extended Crankshaft
- Oil Level Dipstick
- Forced Internal Power End Lubrication System

Options

- Fluid End Variations
 - Duplex Stainless Steel
 - Cast Ductile
 - Cast Forged Steel
 - 955 Aluminum Bronze
 - Forged Steel Billet Block
- Plunger Materials
 - 316 Stainless Steel
 - Colomonoy
 - Tungsten Carbide
 - Ceramic, TSCeramic
- Valve Variations & Materials
 - Caged Valves – Albz., 316 S.S., Monel
 - Wing Guided Valves – Albz., 316 S.S., Monel
 - Abrasive Resistant Valves – Albz., 316 S.S. Monel
- Force Feed Plunger Lubrication System
- Pulsation Damper
- Relief Valve
- Skid Mounted Unitization of Complete Pumping Unit
- Powered Unitization of Pumping Unit
- Multiple Size Configurations of Discharge Outlets and Discharge Outlets
- Suction Inlet Variation in Diameters: 4" or 5" NPT
- Discharge Outlet Variation in Diameters: 2" or 3" 3,000 Series RTJ



UNIFORCE™ Triplex Pump

UNIFORCE™ The Innovative Difference?

WHEN PERFORMANCE COUNTS, TSC's UNIFORCE FAMILY OF PUMPS ARE THE ULTIMATE IN DESIGN AND PERFORMANCE WITH RUGIDABILITY AND DEPENDABILITY BUILT INTO EACH AND EVERY PUMP.

- ✓ **Power Frame** – Forged and Heat Treated Steel & Stress Relieved
- ✓ **Crankshaft** – Forged, Heat Treated Alloy Steel, and Balanced
- ✓ **Bearings** – Premium Timken and SKF with L10 Life of 30,000 Hrs
- ✓ **Crossheads** – Nodular Ductile Cast Iron
- ✓ **Internal Power Frame Lube System** – Dependable Geared Pumping System
- ✓ **Fluid End Modules** – 955 Albz., Duplex Cast S.S., Billet Block, and Cast Ductile
- ✓ **Balanced Performance** – Longer Pump Life
- ✓ **Lower Pump Cost** – Better Value

UNIFORCE™ Triplex Pump Markets

- Salt Water Disposal
- Water Flood Projects
- Petroleum Line Transfer
- Fracturing & Stimulation
- Cement Slurries
- Solvents, Acids, Alkali
- Aircraft De-icing, Airport Areas
- BOP Actuator, Blow Out Preventer Pumps
- Public Transportation
- Fire Suppression & Fire Control Service
- Beverage Industries
- Ultra High Pressure Water Jetting
- Engineering Industries
- Glass and Ceramic Industries
- Hydraulic Casing Pulling
- Hot Oil Services
- Self Service Car Wash Systems
- Automatic Car Wash Systems
- Tunnel Wall Concrete Reinforcement
- Mixing Pump Applications
- Methanol & Ethanol Injection
- Casing Pulling Applications
- Tank & Vessel Hydra Blasting
- Underground Directional Boring
- Surface Power Unit for Downhole Jet Pump
- Agriculture Applications
- Chemical Industry
- Food Industry
- Military Services
- Fertilizer Plants
- Iron & Steel Mills
- Pulp & Lumber Industry
- Polymer Injection
- Research Laboratories
- Sludge & Waste Water
- Nuclear Power Plants
- Reverse Osmosis
- Borehole Pump
- Ship Building
- Mining Industry
- Offshore Platform Wash
- Hydrostatic Testing
- Hydro - Mining
- API Process Pump
- High Viscosity Pumping
- Well Kill Trucks
- Sour Applications
- Pipe Cleaning
- Marine Pump Apps
- Industrial Pump Apps

